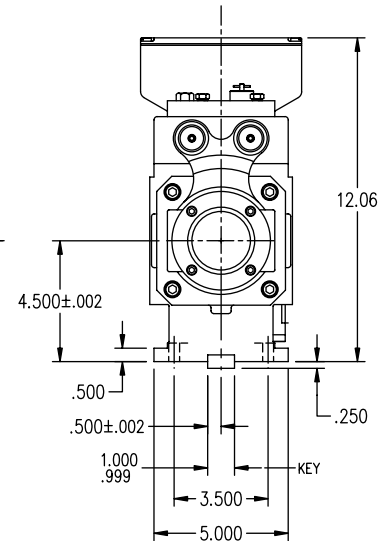
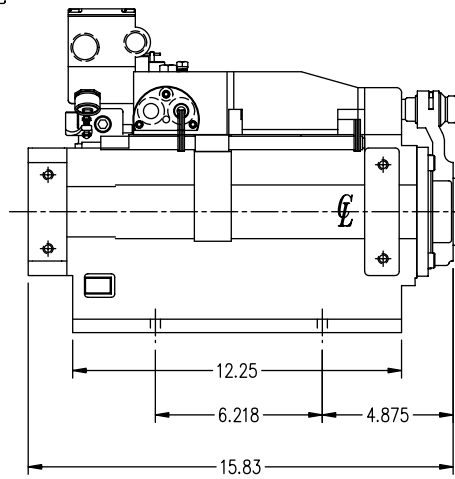
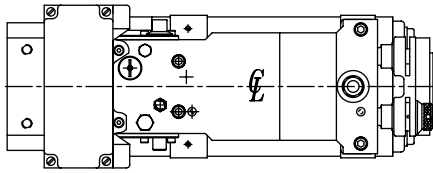


# HYDRAULIC DRILLING UNIT



## Models 6414, 6415

### Specifications (Unit: inch)

Model No.	Thrust Adv./Ret. @ 500 psi	Stroke	Quill Dia.	Max. Spindle Speed	Min. Spindle Speed	Retract Feed	Oil Filler Style
6414	2750/1500	4"	3.500"	5000	80	Yes	N/A
6415	2750/1500	4"	3.500"	5000	80	No	N/A

### Features

- Concentric construction.
- Pressure compensating feed valves
- Belt housing/position choices.
- Various spindle and drive choices.
- Pulley and RPM choices.
- Thrust up to 4250# available.
- Other options available.

### All models can be used vertically or horizontally.

Feed rate

Adv. 1/4" to 75" per minute.

Ret. 1/4" to 60" per minute.

Rapid travel: 190 I.P.M. approx.

### Customizing A Hause Unit To Your Specs

Most Hause power feed units can be customized to best fit the needs of your unique applications. Using the worksheet at the back of this catalog and the information found on pages 36 - 49, you can spec out the Hause unit of your choice.

Model	Spindle	Drive	Belt/Pulley	Motor	Belt Housing	Special
6414	- BR	- Y	- H	- S	- CI	-
	Pgs. 36-37	Pgs. 38-39	Pgs. 40-41	Pgs. 42-44	Pg. 45	Pgs. 46-49

**Example: 6414-BR-Y-H?-CI** This code specifies a Hydraulic Drilling unit (Model No. 6414) with a 4" stroke. Accessorizing this unit is a 1-7/8" High Torque Adjustable Adapter Spindle, High Torque 4.2:1 Reduction Drive, Timing Belt & Pulley with RPMs specified by customer, a 5 HP (1200 RPM) Nema "C" Flange Mounted Motor, mounted to the top on an Extended Belt Housing.